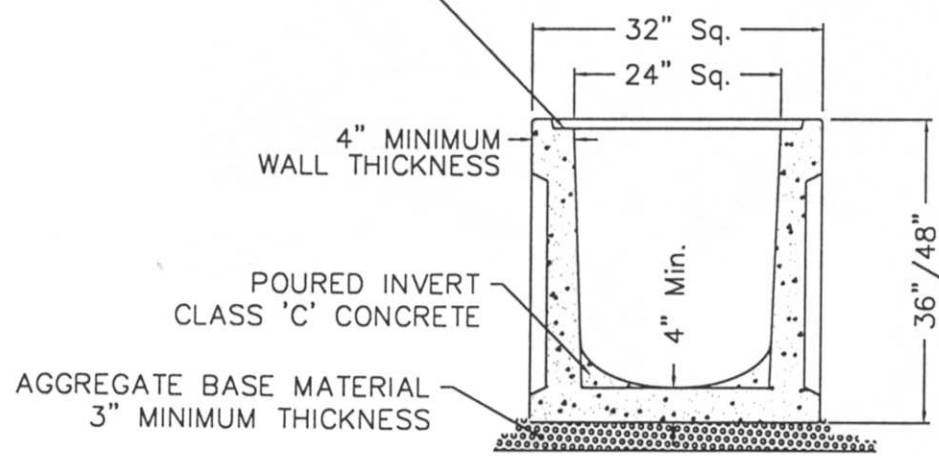


TOP VIEW

GRATE SHALL BE EAST JORDAN  
IRON WORKS NO. 5110 TYPE M-1,  
NEENAH No. R4859-C, OR  
OR APPROVED EQUAL.

RECESSED TO  
MATCH GRATE



SECTION A-A

MODIFIED 2-2-B PRECAST YARD BASIN

