

REGULAR MEETING - TUESDAY, DECEMBER 3, 2013

The Board of County Commissioners of Medina County, Ohio, met in regular session on this date with the following members present:

ADAM FRIEDRICK PATRICIA G. GEISSMAN STEPHEN D. HAMBLEY

Mrs. Geissman offered the following resolution and moved adoption of same, which was duly seconded by Mr. Hambley.

RESOLUTION NO. 13-1009
RESOLUTION ESTABLISHING CONSTRUCTION AND
INSTALLATION GUIDELINES FOR MAILBOXES
PLACED ON COUNTY HIGHWAYS

WHEREAS, the Board of County Commissioners and the Medina County Engineer have determined that it is in the best interest of the traveling public to have the safest possible highway system; and

WHEREAS, the Medina County Engineer has determined that certain mailboxes constitute a hazard to the traveling public as provided for in Section 5547, Ohio Revised Code; and

WHEREAS, the Medina County Engineer and the Board of County Commissioners of Medina County, Ohio, have determined that mailbox installations should follow standards and specifications which also are in compliance with United States Postal regulations; and

WHEREAS, the Board of County Commissioners of Medina County, Ohio, have determined that it is in the best interest of the traveling public of Medina County, that the construction and installation of mailboxes on County roads follow guidelines as described and shown on "Exhibit A", attached.

NOW, THEREFORE, BE IT RESOLVED by the Board of County Commissioners of Medina County, Ohio, that the Medina County Mailbox Construction and Installation Guidelines (Exhibit A) are hereby approved, and will be administered by the Medina County Engineer.

Voting AYE thereon: Mr. Friedrich, Mrs. Geissman, and Mr. Hambley

Adopted: December 3, 2013

Prepared by: Medina County Engineer's Office

I, PAMELA M. VEREB, CLERK OF THE BOARD OF COUNTY
COMMISSIONERS OF MEDINA COUNTY, OHIO, DO HEREBY
CERTIFY THAT THE FOREGOING IS A TRUE AND CORRECT
COPY OF A RESOLUTION ADOPTED BY SAID BOARD ON 12-3-13

12-5-13 Pamela M. Vereb
CLERK

**MEDINA COUNTY
MAILBOX CONSTRUCTION
AND INSTALLATION GUIDELINES**

PREFACE:

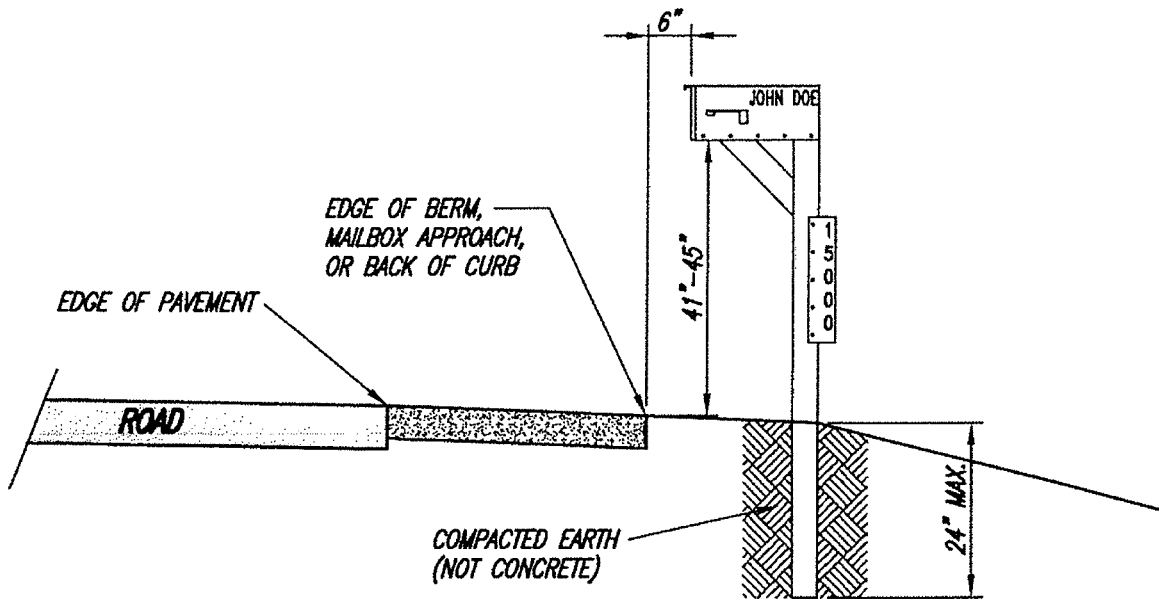
It is the duty of the County Engineer to provide the safest possible highway system for the traveling public of Medina County. Medina County has adopted the following standards for rural mailboxes. No mailbox will be allowed to exist on Medina County Engineer Maintained Right-of-Ways if it interferes with the safety of the traveling public or the function, maintenance, or operation of the highway system. A mailbox installation that does not conform to this criteria may be deemed an obstruction and shall be removed in accordance with Section 5547 of the Ohio Revised Code.

REQUIREMENTS FOR THE INSTALLATION OF MAILBOXES:

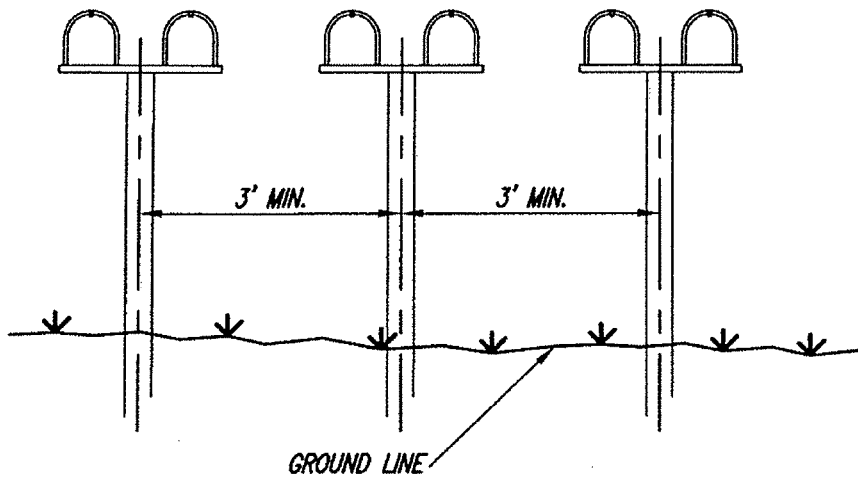
All mailbox units, attachments, decals, supports and installation thereof are to be in strict accordance with the United States Postal regulations and in compliance with the following specifications and standard drawings.

1. The mailbox unit shall be constructed entirely of plastic and/or lightweight sheet metal attached to the support unit with sufficient strength to prevent the box from separating from the post top if struck by a vehicle.
2. The support structure (post) shall be either a wooden post (no larger than 4" x 4" square or 4" diameter round) or a metal post with a strength no greater than a 2" diameter standard strength steel pipe (with weight not in excess of 2.6 pounds per foot). No support structure shall be embedded more than 24" into the ground. A metal post shall not be fitted with an anchor plate, but it may have an anti-twist device that extends no more than 10" below the ground surface. Mailbox supports shall not be set in concrete.
3. The door of the mailbox shall be placed a minimum of 6" outside of the shoulder portion of the highway. When a mailbox is installed in the vicinity of an existing guardrail, it shall be placed immediately behind the guardrail unless otherwise approved by the Medina County Engineer.
4. Multiple mailbox units of more than 2 boxes shall not be mounted on one support. However, lightweight newspaper boxes may be mounted below the mailbox on the side of the mailbox support. Multiple posts shall be placed no less than 3' apart.
5. Designs not described herein will not be acceptable unless written approval is granted by the Medina County Engineer.
6. The owner shall assume responsibility for and shall hold Medina County harmless and defend any and all claims for personal injury and property damages that may be brought as a result of this work.

The suggested type of installation consists of a yielding support with a box of lightweight sheet metal and/or plastic construction. Drawings are attached for further reference.



TYPICAL MAILBOX INSTALLATION



GROUP MAILBOX